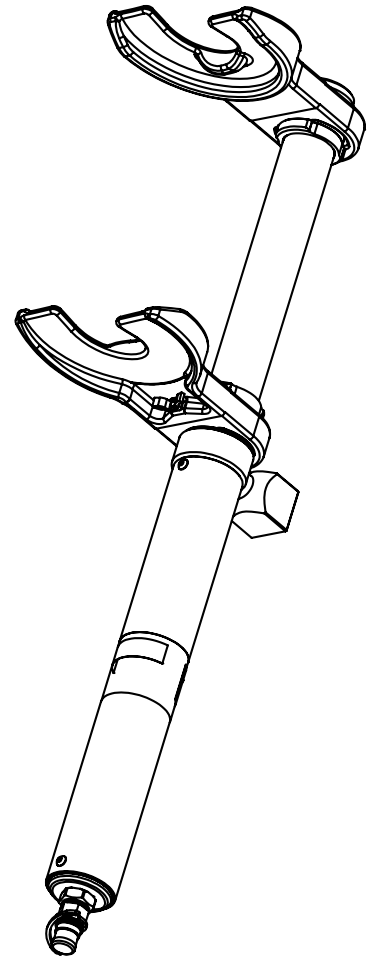
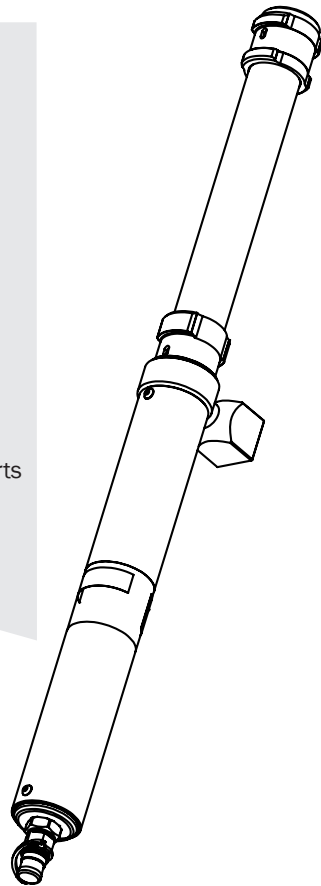


SPECIFICATIONS

- Full hydraulic
- Time saving
- Easy to operate
- Universal - exchangeable jaws
- Automatic spring return
- Max. load 3,3 ton
- Max. working pressure 70 MPa
- Compression length 250 mm
- Bayonet auto locking system for jaws
- Safety band and quick link included
- All components available as spare parts
- "Made in Sweden"



HYDRAULIC SPRING TENSIONER SC33

Universal, full hydraulic spring compressor suitable for vehicles with Semi-struts and MacPherson Struts.

Information



Universal, simple and safe - suitable for new electric vehicles with stronger springs.

Use with ease on transporters, vans and cars such as Volvo EX90, Polstar 3, Audi A3 (8P), VW Golf (1K) and other brands, simply by adding jaws suitable for the spring.

Functionality



Equipped with a quick coupling, the SC33 is easy to connect to a hydraulic pump.

The flexible holding block allows the tool to be placed in a suitable angle on a work bench. For a safe operation, the SC33 is also equipped with a safety band for securing the spring.

Usability



Due to enormous strong forces, working with springs is often both complicated and risky.

With the REHOBOT hydraulic spring compressor, this work can be carried out much safer and at the same time, save time. The SC33 is a great asset for any workshop

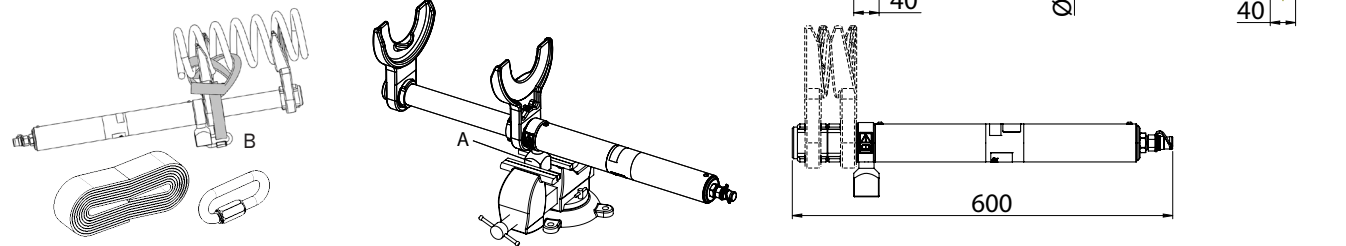
PERFORMANCE & DIMENSIONS

1000 mm safety band and quick link "B" included in all versions to prevent spring from jumping off tool. Tool is designed with a bracket "A" which makes it easy to fasten in a vise in various angles.

| Designation | Item code | Theoretical capacity | Working pressure | Weight |
|-------------|-----------|----------------------|------------------|----------|
| SC33* | 52665 | ~33 kN | 70 MPa | ~9,0 kg |
| SC33-17** | 52666 | ~33 kN | 70 MPa | ~13,4 kg |

* Jaws not included

** Jaws KL-9001-17 SP included in kit



SC33 - JAWS

Jaws are suitable for universal applications

KL-9001-16 SP

For example: Front axle: Audi A3 (8P), TT (8J); VW Golf (1K), Sharan (7N); Škoda Kodiaq (NS7); Mercedes B-Klasse (W245); Citroën C-Crosser; Mazda 3 (BL); Mitsubishi Outlander (II); etc.

KL-9001-17 SP

Essential for Pathfinder; Seat Arosa; VW Lupo (6X/6E), Touran (1T3); Mercedes etc.

KL-9001-13 SP

For example: MAN TGE, TGL (Transporter). Front axle: Mercedes V-Klasse (W447); VW-Crafter; Chrysler PT Cruiser; etc. Rear axle: Mercedes V-Klasse (W447); etc.

| TYPE | Part no. | Spring size - Ø from | Spring size - Ø up to | Weight (pair) |
|----------------|----------|----------------------|-----------------------|---------------|
| KL-9001-16 SP* | 52659 | 55 mm inside | 120 mm outside | 3,8 kg |
| KL-9001-17 SP* | 52664 | 85 mm inside | 155 mm outside | 4,4 kg |
| KL-9001-12 SP | 52660 | 105 mm inside | 170 mm outside | 3,9 |



Sold in pairs

Supplied with plastic protective inserts.

* These pair of jaws with an extended attachment axle (extended b approximatel 30mm) is ideal for springs that are hard to reach. Thanks to the possibilit to use an extended jaw in conjunction with a non-extended jaw, also conical springs can be compressed.

SC33 - PUMP ALTERNATIVES

The SC33 can preferably be operated by the one of our many different pumps, for example electrical motor pump PME025/70-2500S1H, the PP70B-1000 pneumatic foot pump or the PHS70-1000 hydraulic hand pump. Please contact us for your special need.



PP70B-1000/LS201



PHS70-1000/LS201



PME025/70-2500S1H