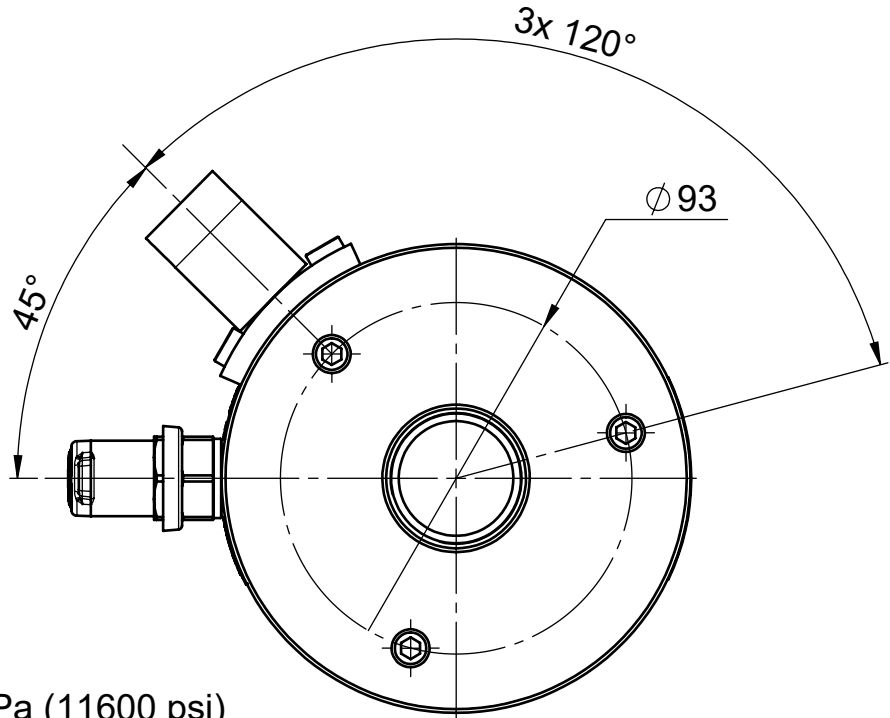
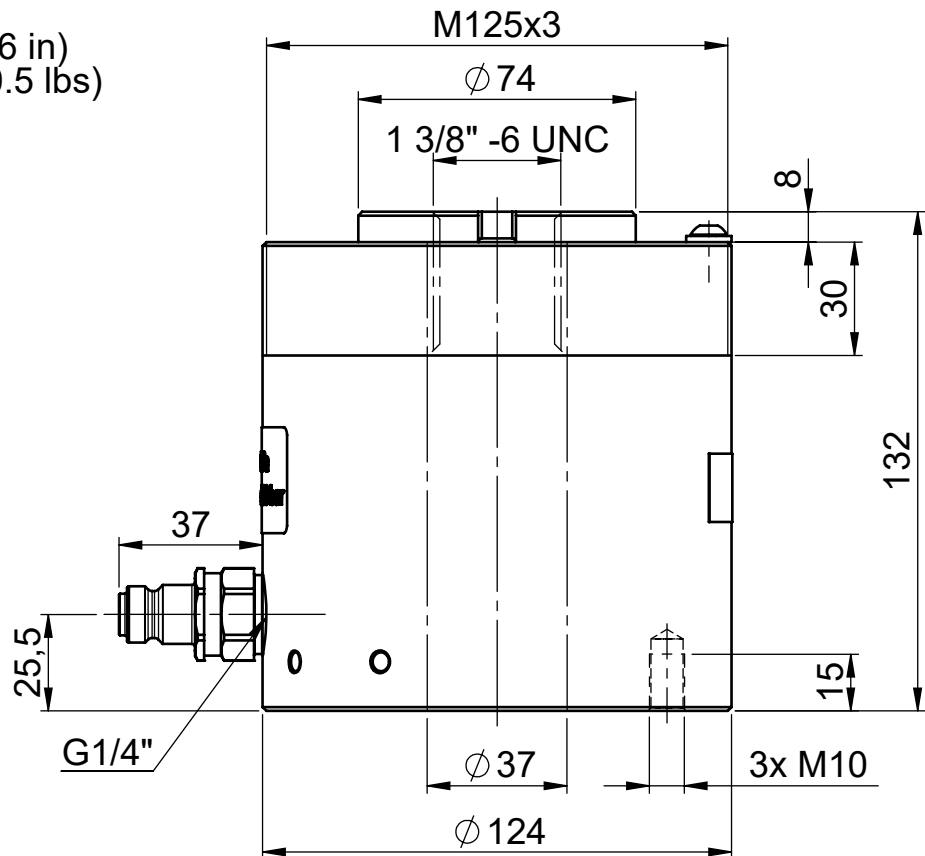


Issue	Change	Position	Date	Sign.
1	Omritad		2017-03-02	GB



Max pressure: 80 MPa (11600 psi)
 Capacity: 500 kN
 Stroke: 40 mm (1.6 in)
 Weight: 9,3 kg (20.5 lbs)



Material	Blank, dimension	Heat treatment	Surface treatment
----------	------------------	----------------	-------------------

Permissible deviations for dimensions without indication of tolerances		Surface roughness unless specified	
Machined parts acc.SS-ISO-2768-1	Castings acc.SS-ISO-8062	Fuse welded constr. acc.SS-EN ISO 13920	✓ Ra μm

Designed by -	Drawn by ME	Date 2017-03-02	Product Dimensional drawing Måttitning	Tol.system acc. ISO	E
Prod.appr. rj1 2017-03-22	Design appr. Admin 2017-03-06	Scale 1:2		Replaces C38281500	

Title CH50-40			Replaced by
-------------------------	--	--	-------------



D-39644

DENNA RITNING ÄR REHOBOT AB:s EGENDOM. SKYDDAD ENLIGT GÄLLANDE LAG. THIS DRAWING IS THE PROPERTY OF REHOBOT AB. PROTECTED BY PREVAILING LAW.