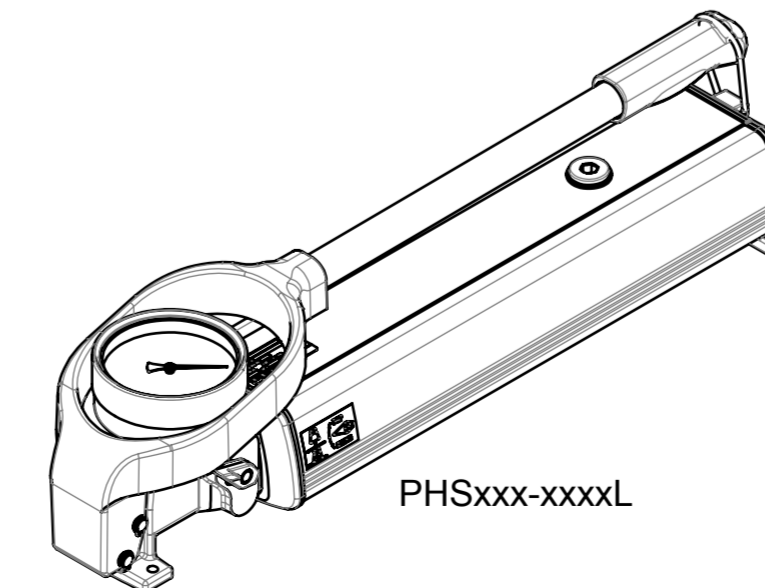
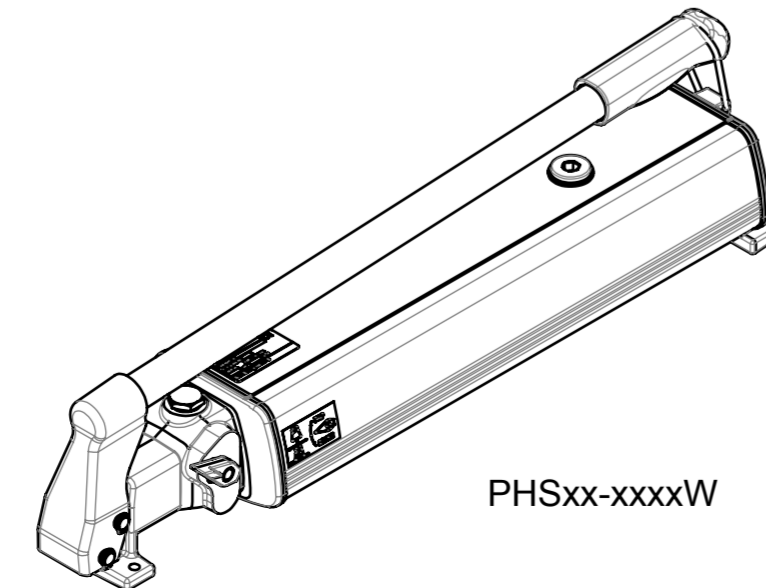


| Name | Max working pressure MPa | Effective oil capacity cm ³ | Capacity low pressure cm ³ /stroke | Capacity high pressure cm ³ /stroke | Pump force @ max working pressure N | Pressure gauge | P Pressure connection | R Return connection | A mm | B mm | C mm | D mm | E mm | F mm | G mm | H mm | J mm | K mm | L Ø mm | Weight kg |
|--------------|--------------------------|--|---|--|-------------------------------------|----------------|-----------------------|---------------------|------|------|------|------|------|------|------|------|------|------|--------|-----------|
| PHS70-300 | 70 | 300 | 20 | 1 | 350 | AMT801 | G1/4" | G1/4" | 320 | 170 | 110 | 80 | 75,3 | 275 | 68 | 84 | 93 | 14 | 6,6 | 6 |
| PHS70-1000 | 70 | 1000 | 20 | 2 | 320 | AMT801 | G1/4" | G1/4" | 620 | 170 | 110 | 80 | 75,3 | 575 | 68 | 84 | 93 | 14 | 6,6 | 8,1 |
| PHS70-2400 | 70 | 2400 | 20 | 2 | 320 | AMT801 | G1/4" | G1/4" | 620 | 170 | 110 | 80 | 127 | 575 | 68 | 84 | 93 | 14 | 6,6 | 9,9 |
| PHS70-2400W | 70 | 2400 | 20 | 2 | 320 | --- | G1/4" | G1/4" | 620 | 170 | 110 | 80 | 127 | 575 | 68 | 84 | -- | 14 | 6,6 | 8,7 |
| PHS70-4100 | 70 | 4100 | 20 | 2 | 320 | AMT801 | G1/4" | G1/4" | 620 | 170 | 140 | 100 | 209 | 575 | 68 | 84 | 93 | 14 | 6,6 | 13,7 |
| PHS80-300 | 80 | 300 | 20 | 1 | 400 | AMT801 | G1/4" | G1/4" | 320 | 170 | 110 | 80 | 75,3 | 275 | 68 | 84 | 93 | 14 | 6,6 | 6 |
| PHS80-1000 | 80 | 1000 | 20 | 2 | 360 | AMT801 | G1/4" | G1/4" | 620 | 170 | 110 | 80 | 75,3 | 575 | 68 | 84 | 93 | 14 | 6,6 | 8,1 |
| PHS80-2400 | 80 | 2400 | 20 | 2 | 360 | AMT801 | G1/4" | G1/4" | 620 | 170 | 110 | 80 | 127 | 575 | 68 | 84 | 93 | 14 | 6,6 | 9,9 |
| PHS80-4100 | 80 | 4100 | 20 | 2 | 360 | AMT801 | G1/4" | G1/4" | 620 | 170 | 140 | 100 | 209 | 575 | 68 | 84 | 93 | 14 | 6,6 | 13,7 |
| PHS100-300 | 100 | 300 | 20 | 1 | 500 | TX104 | G1/4" | G1/4" | 320 | 170 | 110 | 80 | 75,3 | 275 | 68 | 84 | 93 | 14 | 6,6 | 6 |
| PHS100-1000 | 100 | 1000 | 20 | 1 | 230 | TX104 | G1/4" | G1/4" | 620 | 170 | 110 | 80 | 75,3 | 575 | 68 | 84 | 93 | 14 | 6,6 | 8,1 |
| PHS100-2400 | 100 | 2400 | 20 | 1 | 230 | TX104 | G1/4" | G1/4" | 620 | 170 | 110 | 80 | 127 | 575 | 68 | 84 | 93 | 14 | 6,6 | 9,9 |
| PHS100-4100 | 100 | 4100 | 20 | 1 | 230 | TX104 | G1/4" | G1/4" | 620 | 170 | 140 | 100 | 209 | 575 | 68 | 84 | 93 | 14 | 6,6 | 13,7 |
| PHS150-1000 | 150 | 1000 | 20 | 1 | 370 | TX104 | G1/4" | G1/4" | 620 | 170 | 110 | 80 | 75,3 | 575 | 68 | 84 | 93 | 14 | 6,6 | 8,1 |
| PHS150-2400 | 150 | 2400 | 20 | 1 | 370 | TX104 | G1/4" | G1/4" | 620 | 170 | 110 | 80 | 127 | 575 | 68 | 84 | 93 | 14 | 6,6 | 9,9 |
| PHS150-1000L | 150 | 1000 | 20 | 1 | 370 | AMT151 | G1/4" | G1/4" | 620 | 170 | 110 | 80 | 75,3 | 575 | 68 | 84 | 134 | --- | 6,6 | 8,7 |
| PHS150-2400L | 150 | 2400 | 20 | 1 | 370 | AMT151 | G1/4" | G1/4" | 620 | 170 | 110 | 80 | 127 | 575 | 68 | 84 | 134 | --- | 6,6 | 10,5 |
| PHS200-1000L | 200 | 1000 | 20 | 0,7 | 380 | AMT301 | 9/16-18 UNF | G1/4" | 620 | 170 | 110 | 80 | 75,3 | 575 | 68 | 84 | 134 | --- | 6,6 | 8,7 |
| PHS200-2400L | 200 | 2400 | 20 | 0,7 | 380 | AMT301 | 9/16-18 UNF | G1/4" | 620 | 170 | 110 | 80 | 127 | 575 | 68 | 84 | 134 | --- | 6,6 | 10,5 |
| PHS240-2400L | 240 | 2400 | 20 | 0,7 | 460 | AMT301 | 9/16-18 UNF | G1/4" | 620 | 170 | 110 | 80 | 127 | 575 | 68 | 84 | 134 | --- | 6,6 | 10,5 |



DENNA RITNING ÄR REHOBOT AB:s EGENDOM. SKYDDAD ENLIGT GÄLLANDE LAG. THIS DRAWING IS THE PROPERTY OF REHOBOT AB. PROTECTED BY PREVAILING LAW.

| Issue | Change | Position | Date | Sign. |
|-------|--------|----------|------|-------|
| 11 | | 10 | | |
| | | 9 | | |
| | | 8 | | |
| | | 7 | | |
| | | 6 | | |
| | | 5 | | |
| | | 4 | | |
| | | 3 | | |
| | | 2 | | |
| | | 1 | | |

| | | | |
|--|-----------------------------------|--------------------------|---|
| Material | Blank, dimension | Heat treatment | Surface treatment |
| Permissible deviations for dimensions without indication of tolerances Machined parts acc.SS-ISO-2768-1 | | Castings acc.SS-ISO-8062 | Fuse welded constr. acc.SS-EN ISO 13920 |
| Designed by CS1 | Drawn by CS1 | Date 2013-06-12 | Product PHS Hand pumps |
| Prod. appr. 2013-07-01 | Design appr. AN1 2013-06-14 | Scale 1:2 | Tol.system acc. ISO Replaces |
| REHOBOT | | | Replaced by |
| Dimension drawing | | | B-44676 |