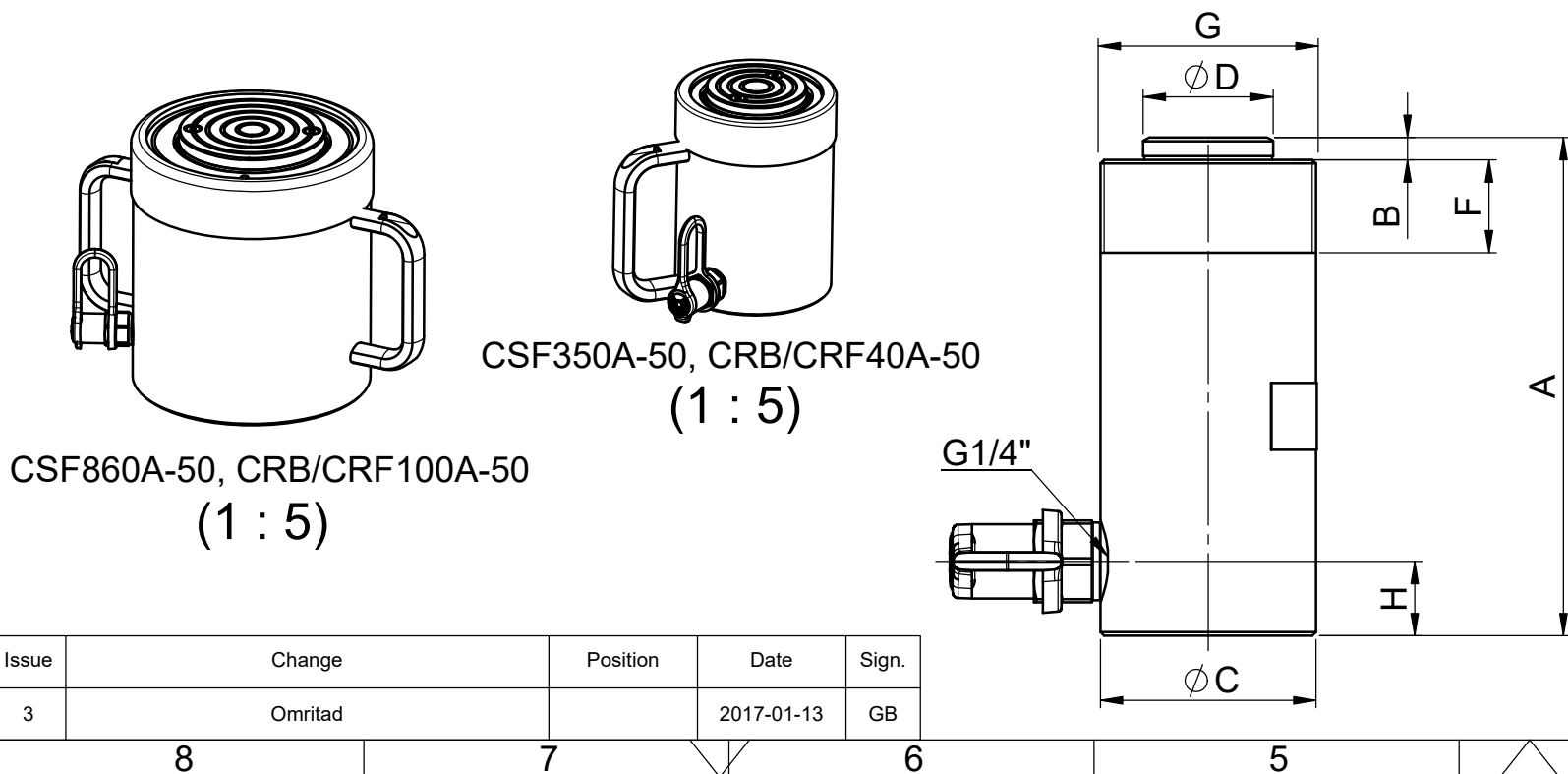


Modell / Model	Kapacitet / Capacity 70 MPa kN (t)	Kapacitet / Capacity 80 MPa kN (t)	Slaglängd / Stroke mm (in)	Kolvarea / Piston area cm ² (in ²)	Slagvolym / Stroke volume cm ³ (in ³)	Bärhandtag / Carrying handle	A mm (in)	B mm (in)	C mm (in)	D mm (in)	F mm (in)	G mm (in)	H mm (in)	Vikt / Weight kg (lbs)
CSF110-50, CRB/CRF13-50	111 (11,3)	127 (13)	50 (2)	15,9 (2.5)	80 (4.9)	-	134 (5.3)	6 (0.2)	58 (2.3)	35 (1.4)	25 (1)	M58x2	20 (0.8)	2,2 (4.9)
CSF110-100, CRB/CRF13-100	111 (11,3)	127 (13)	100 (3.9)	15,9 (2.5)	159 (9.7)	-	184 (7.2)	6 (0.2)	58 (2.3)	35 (1.4)	25 (1)	M58x2	20 (0.8)	3,0 (6.6)
CSF110-150, CRB/CRF13-150	111 (11,3)	127 (13)	150 (5.9)	15,9 (2.5)	238 (14.5)	-	234 (9.2)	6 (0.2)	58 (2.3)	35 (1.4)	25 (1)	M58x2	20 (0.8)	3,5 (7.7)
CSF220-25, CRB/CRF25-25	218 (22)	249 (25)	25 (1)	31,2 (4.8)	78 (4.8)	-	115 (4.5)	7 (0.3)	80 (3.1)	52 (2)	30 (1.2)	M80x3	20 (0.8)	3,7 (8.2)
CSF220-50, CRB/CRF25-50	218 (22)	249 (25)	50 (2)	31,2 (4.8)	156 (9.5)	-	140 (5.5)	7 (0.3)	80 (3.1)	52 (2)	30 (1.2)	M80x3	20 (0.8)	4,3 (9.5)
CSF220-100, CRB/CRF25-100	218 (22)	249 (25)	100 (3.9)	31,2 (4.8)	312 (19)	-	190 (7.5)	7 (0.3)	80 (3.1)	52 (2)	30 (1.2)	M80x3	20 (0.8)	5,5 (12.1)
CSF220-150, CRB/CRF25-150	218 (22)	249 (25)	150 (5.9)	31,2 (4.8)	467 (28.5)	-	240 (9.4)	7 (0.3)	80 (3.1)	52 (2)	30 (1.2)	M80x3	20 (0.8)	6,9 (15.2)
CSF220-200, CRB/CRF25-200	218 (22)	249 (25)	200 (7.9)	31,2 (4.8)	623 (38)	-	290 (11.4)	7 (0.3)	80 (3.1)	52 (2)	30 (1.2)	M80x3	20 (0.8)	8,2 (18.1)
CSF350A-50, CRB/CRF40A-50	352 (36)	402 (41)	50 (2)	50,2 (4.8)	251 (15.3)	x	146 (5.7)	7 (0.3)	105 (4.1)	70 (2.8)	25 (1)	M105x3	20 (0.8)	8,2 (15.2)
CSF350A-100, CRB/CRF40A-100	352 (36)	402 (41)	100 (3.9)	50,2 (4.8)	502 (30.6)	x	196 (7.7)	7 (0.3)	105 (4.1)	70 (2.8)	25 (1)	M105x3	20 (0.8)	10,2 (22.5)
CSF350A-200, CRB/CRF40A-200	352 (36)	402 (41)	200 (7.9)	50,2 (4.8)	1005 (61.3)	x	296 (11.7)	7 (0.3)	105 (4.1)	70 (2.8)	25 (1)	M105x3	20 (0.8)	15,6 (34.4)
CSF550A-50, CRB/CRF63A-50	550 (56)	628 (64)	50 (2)	78,5 (12.2)	393 (24)	x	160 (6.3)	7 (0.3)	130 (5.1)	80 (3.1)	25 (1)	M130x3	23 (1.3)	13,5 (29.8)
CSF550A-100, CRB/CRF63A-100	550 (56)	628 (64)	100 (3.9)	78,5 (12.2)	785 (47.9)	x	210 (8.3)	7 (0.3)	130 (5.1)	80 (3.1)	25 (1)	M130x3	23 (1.3)	16,7 (36.8)
CSF550A-200, CRB/CRF63A-200	550 (56)	628 (64)	200 (7.9)	78,5 (12.2)	1570 (95.8)	x (x2)	310 (12.2)	7 (0.3)	130 (5.1)	80 (3.1)	25 (1)	M130x3	23 (1.3)	23,6 (52)
CSF860A-50, CRB/CRF100A-50	859 (88)	982 (100)	50 (2)	122,6 (19)	613 (37.4)	x (x2)	183 (7.2)	9 (0.4)	160 (6.3)	100 (3.9)	30 (1.2)	M160x3	35 (1.4)	23,6 (52)
CSF860A-100, CRB/CRF100A-100	859 (88)	982 (100)	100 (3.9)	122,6 (19)	1227 (74.9)	x (x2)	233 (9.2)	9 (0.4)	160 (6.3)	100 (3.9)	30 (1.2)	M160x3	35 (1.4)	28,9 (63.7)
CSF860A-200, CRB/CRF100A-200	859 (88)	982 (100)	200 (7.9)	122,6 (19)	2453 (149.7)	x (x2)	333 (13.1)	9 (0.4)	160 (6.3)	100 (3.9)	30 (1.2)	M160x3	35 (1.4)	39,3 (86.6)

DENNA RITNING ÄR REHOBOT AB:s EGENDOM. SKYDDAD ENLIGT GÄLLANDE LAG. THIS DRAWING IS THE PROPERTY OF REHOBOT AB. PROTECTED BY PREVAILING LAW.



Material	Blank, dimension	Heat treatment	Surface treatment
Permissible deviations for dimensions without indication of tolerances			Surface roughness unless specified
Machined parts acc. SS-ISO-2768-1	Castings acc. SS-ISO-8062	Fuse welded constr. acc. SS-EN ISO 13920	
Designed by LK	Drawn by GB1	Date 2017-01-13	Product Måttitning
Prod. appr. 2017-01-18	Design appr. 2017-01-16	Scale 1:2	
Title CSF, CRB, CRF-Cylinders			
REHOBOT			Tol. system acc. ISO Replaces
			Replaced by
			C-45126

Issue	Change	Position	Date	Sign.
3	Omritad		2017-01-13	GB