

FEATURES OF THE EBH

- Highly time and labour saving
- Safe and simple
- Does the job on the spot
- Free hands for higher precision
- No damage to vehicle
- Easy to upgrade
- Powerful and versatile
- Wide variety of applications
- Lightweight and compact
- Capacity from 6 to 37 ton.



HYDRAULIC BUSHING TOOL KIT EBH-SERIES

The EBH hydraulic tool kits are powerful and versatile tools. Easy to use and saves both time and labour.

■ **Information**



The EBH hydraulic tool kit is used for a wide variety of applications in car and truck workshops worldwide. In many cases the amount of strip-down preparation is reduced and the need to take the part to a workshop press eliminated. Instead you can work with the hydraulic tool kit directly on the vehicle.

■ **Functionality**



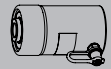

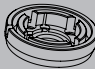
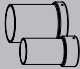
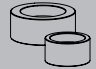
When the kit is assembled for a particular task it can be set in position with high precision by means of the air/hydraulic foot pump, which leaves you with two hands free at all times.

■ **Usability**



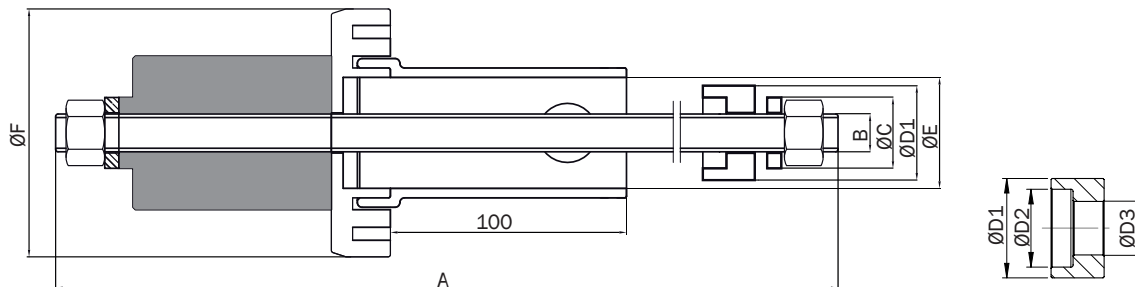
The traditional way of working using a slide-hammer or other lumbering tools can easily damage vehicle parts. This is in most cases avoided by using REHOBOT's EBH kit. Working with EBH to replace bushings, axles and bearings is easy and saves time. A 50% or more time saving is not unusual.

EBH - TABLE OF CONTENTS

| Type |  | Max. force kN / ton |  |  |  |  |
|--------------|---|------------------------|---|---|---|---|
| EBH6 | CHF62 | 61 / 6 | TR12-500 12.9 TR16x500 10.9 | AD6-18 | TA49 TA73 | BR35/25-16 BR45/35-24 BR65/45-30 |
| EBH13 | CHFA132 | 123 / 13 | TR20x500 10.9 | AD6-18 | TA49 TA73 | BR45/35-24 BR65/45-30 |
| EBH18 | CHFA182 | 176 / 18 | TR24x500 10.9 | AD6-18 | TA49 TA73 | BR45/35-24 BR65/45-30 |
| EBH26 | CHFA262 | 255 / 26 | TR30x560 10.9 | AD26-37 | TA73 TA95 | BR65/45-30 BR90/65-36 |
| EBH37 | CHFA372 | 358 / 37 | TR36x560 10.9 | AD26-37 | TA95 TA115 | BR90/65-36 BR110/90-36 |

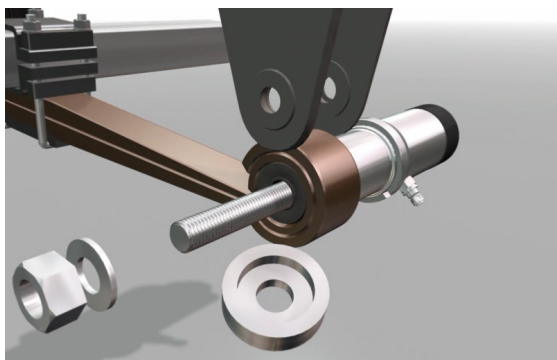
EBH - MEASUREMENTS

| Type | Type | A | | B | C | | Type | D1 | | D2 | | D3 | | Type | E | | Type | F | |
|-------|---------------|-------------|------|--------|----|-----|------------|-----|-------|-----|-----|---------|-----|------|----|-----|--------|-----|-----|
| | | mm | in | thread | mm | in | | mm | in | mm | in | mm | in | | mm | in | | mm | in |
| EBH6 | TR12-500 12.9 | 500 | 19.7 | M12 | 24 | 0.9 | BR35/25-16 | 35 | 1.4 | 25 | 1 | 16 | 0.6 | TA49 | 49 | 1.9 | AD6-18 | 105 | 4.1 |
| | TR16x500 10.9 | BR45/35-24 | 45 | 1.8 | 35 | 1.4 | 24 | 0.9 | TA73 | 73 | 2.9 | AD6-18 | 105 | 4.1 | | | | | |
| | | BR65/45-30 | 65 | 2.6 | 45 | 1.8 | 30 | 1.2 | TA73 | 73 | 2.9 | | | | | | | | |
| EBH13 | TR20x500 10.9 | BR45/35-24 | 45 | 1.8 | 35 | 1.4 | 24 | 0.9 | TA49 | 49 | 1.9 | AD6-18 | 105 | 4.1 | | | | | |
| | | BR65/45-30 | 65 | 2.6 | 45 | 1.8 | 30 | 1.2 | TA73 | 73 | 2.9 | | | | | | | | |
| EBH18 | TR24x500 10.9 | BR45/35-24 | 45 | 1.8 | 35 | 1.4 | 24 | 0.9 | TA49 | 49 | 1.9 | AD6-18 | 105 | 4.1 | | | | | |
| | | BR65/45-30 | 65 | 2.6 | 45 | 1.8 | 30 | 1.2 | TA73 | 73 | 2.9 | | | | | | | | |
| EBH26 | TR30x560 10.9 | BR65/45-30 | 65 | 2.6 | 45 | 1.8 | 30 | 1.2 | TA73 | 73 | 2.9 | AD26-37 | 127 | 5 | | | | | |
| | | BR90/65-36 | 90 | 3.5 | 65 | 2.6 | 36 | 1.4 | TA95 | 95 | 3.7 | | | | | | | | |
| EBH37 | TR36x560 10.9 | BR90/65-36 | 90 | 3.5 | 65 | 2.6 | 36 | 1.4 | TA95 | 95 | 3.7 | AD26-37 | 127 | 5 | | | | | |
| | | BR110/90-36 | 110 | 4.3 | 90 | 3.5 | 36 | 1.4 | TA115 | 115 | 4.5 | | | | | | | | |

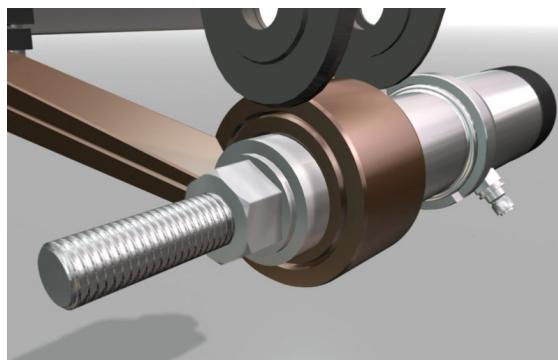


NOTE! All REHOBOT Data Sheets uses metric ton.
1 metric ton = 0.98 long ton = 1.10 short ton.

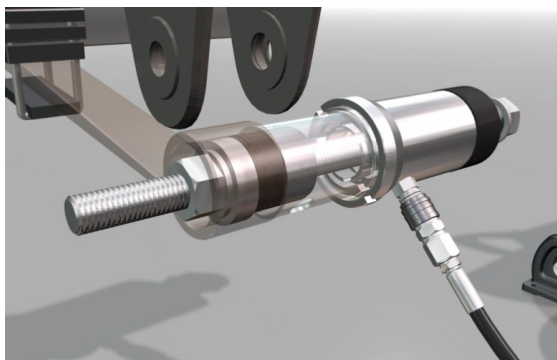
EBH - SEQUENCE OF OPERATION



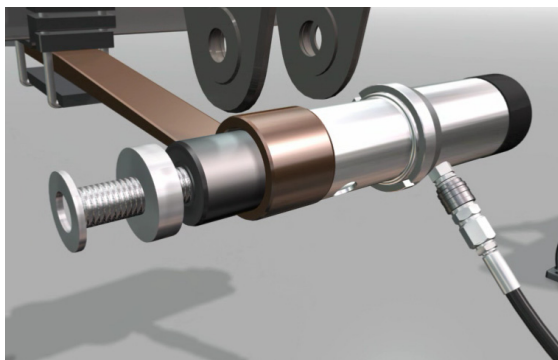
Step 1



Step 2



Step 3





Step 4



Safe and rapid exchange of bushings on a truck using a EBH-kit. The operation is performed on the spot with no risk of damaging the vehicle.

EBH - PUMP ALTERNATIVES

| Air driven pump - for more comfort | Hand pump - more portable |
|---|--|
|  |  |
| PP70B-1000 PP70B-1000/LS201 (2 m hose, female quick coupling and swivel) PP70B-1000/LS250 (2.5 m high flex hose, quick coupling and swivel) | PHS70-1000 PHS70-1000/LS201 (2 m hose, female quick coupling and swivel) PHS70-1000/LS301 (3 m hose, female quick coupling and swivel) PHS70-1000/LS250 (2.5 m high flex hose, quick coupling and swivel) |

ORDER INFORMATION

| | | | | | | | |
|--------------------|---------------|------------------|------------------|---------------|------------------|------------------|------------------|
| Designation | EBH6 | EBH13 | EBH18 | EBH26 | EBH37 | | |
| Part number | 44592 | 44594 | 44598 | 46957 | 46959 | | |
| Designation | TR12-500 12.9 | TR16-500 10.9 | TR20-500 10.9 | TR24-500 10.9 | TR30-560 10.9 | TR36-560 10.9 | |
| Part number | 45239 | 45240 | 45241 | 47046 | 47047 | 47048 | |
| Designation | BR35/25-16 | BR45/35-24 | BR65/45-30 | BR90/65-36 | BR110/90-36 | | |
| Part number | 47037 | 47038 | 47039 | 47040 | 47041 | | |
| Designation | TA49 | TA73 | TA95 | TA115 | AD6-18 | AD26-37 | |
| Part number | 45246 | 45247 | 45248 | 47029 | 45249 | 47045 | |
| Designation | PP70B-1000 | PP70B-1000/LS201 | PP70B-1000/LS250 | PHS70-1000 | PHS70-1000/LS201 | PHS70-1000/LS301 | PHS70-1000/LS250 |
| Part number | 49300 | 49306 | 49307 | 44400 | 44414 | 44419 | 44417 |