

FEATURES OF 16HN-1

- Light weight, only 6,1kg
- Long stroke of 440 mm
- Min. lifting height: 105 mm
(plus stroke length)
- Max. lifting height: 495 mm
(plus stroke length)
- Lifts 1 ton on lifting ram and oil reservoir.



HIGH PROFILE SPECIAL JACK 16HN-1

16HN-1 gives several different application areas when lifting, pressing or pushing apart is necessary

Information



The 16HN-1 hydraulic tool is used for a wide variety of applications such as car racing or floodgates worldwide. In many cases the amount of strip-down preparation is reduced, instead you can work with the hydraulic tool directly on the vehicle.

Functionality



With the special jacks flexible support bottom plate it can be set in position with high precision.

With extra accessories the application areas can be even greater

- Chain and hook
- S-rod

Usability

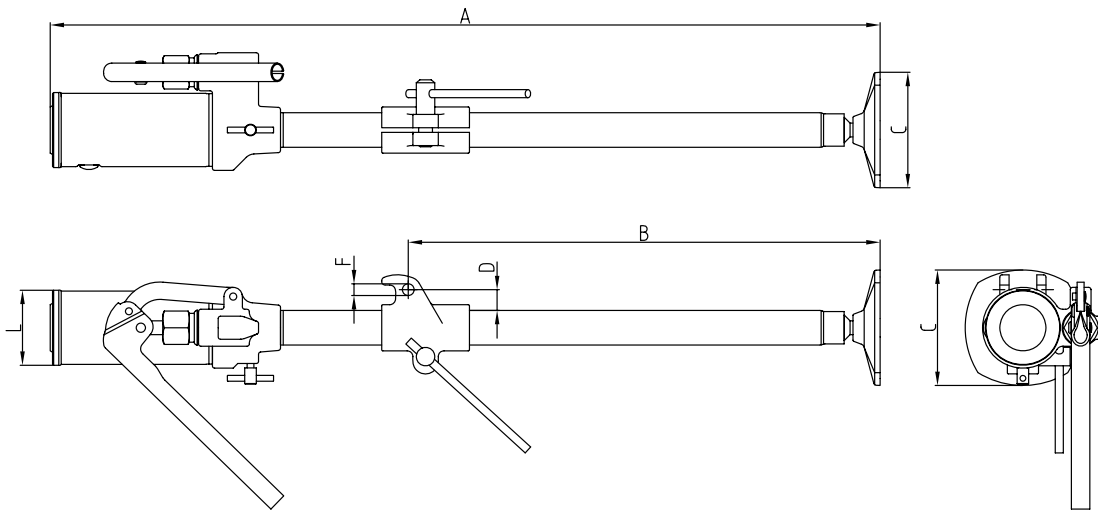


Fields of use where 16HN-1 are applicable may include:

- Civil defence
- Emergency aid operations
- Car racing
- Industrial maintenance applications
- Floodgates

PERFORMANCE

Type	Capacity kN (ton)	Stroke mm (in)	Max. height mm (in)	Min. height mm (in)	Weight kg (lbs)	A mm (in)	B mm (in)	C mm (in)	D mm (in)	F mm (in)	L Ø mm (in)
16HN-1	10 (1)	440 (17.3)	1160 (45.7)	720 (28.3)	6,1 (13.4)	720 (28.3)	105-495 (4.1-19.5)	100 (3.9)	19 (0.7)	10,2 (0.4)	65 (2.6)



16HN-1 with accessory "Chain and hook"



16HN-1 can be used by lifting the weight on the ram and oil reservoir.

ORDER INFORMATION

Designation	16HN-1	Chain and hook	S-rod
Part number	49085	10097	6014