

SPECIFICATIONS

- 70 MPa / 700 Bar
- Weight 13,7 kg
- Oil flow, low pressure - 3.2 l/min
- Oil flow, high pressure - 0.24 l/min
- 0,25 kW, 230 VAC, 50 Hz
- Usable oil capacity, 2.5 l
- Adjustable pressure 0-70 MPa
- Can start at max. pressure
- Pendant control
- Gauge included
- Noise level <80 dB
- Built in safety valve
- Oil fill cap with vented plug

POWER WITH HYDRAULICS



Information



Low weight and low profile design.
Robust and durable with aluminium oil container.
Low maintenance induction motor - no need to change carbon brush.
Low noise level - under 80 dB.
Oil fill cap with build in air vent to prevent over and under pressure in oil container.

Functionality



Easy to reach adjustable pressure regulating valve with range 0-70 MPa.
Pressure maintained until release valve in manually opened
Hold to run IP65 pendant control.
Built in tamper-proof, factory pre set safety valve inside oil container.
Carrying handle that also protect the gauge.

Usability



For intermittent use.
Industrial and workshop applications.
E.g:

- Bushing tools
- Cutters and spreaders
- Bench press
- Spring compressor tools
- Lifting cylinders

REHOBOT Hydraulics AB

Postal address: P.O. Box 1107
631 80 Eskilstuna, Sweden
T: +46 (0)16-16 82 00 | F: +46 (0)16-13 93 16
E: info@rehobot.se | www.rehobot.se

REHOBOT Ltd.

Unit 6, Stechford Trading Estate, Lyndon Road, Stechford
Birmingham B33 8BU, UK
T: +44 121 789 77 07 | F: +44 121 789 68 66
E: info@rehobot.co.uk | www.rehobot.co.uk

REHOBOT Inc.

Unit #1 3980 W. Albany St.
McHenry IL 600 50, USA
T: +1 815 385 77 77 | F: +1 815 385 77 76
E: info@rehobot.us | www.rehobot.us

PERFORMANCE & DATA

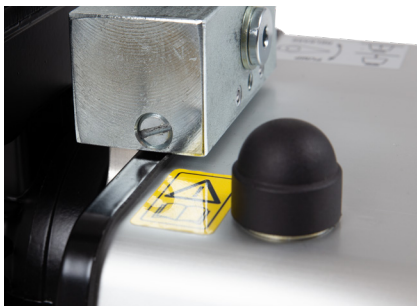
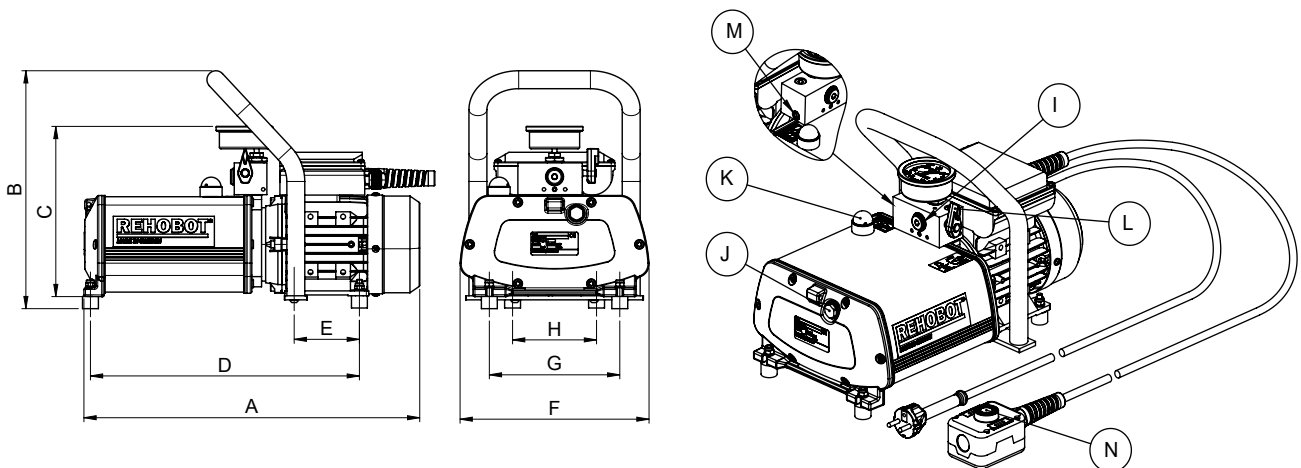
Designation	Item code	Working pressure	Eff. oil vol.	Capacity (cm ³ /min)		Motor	Gauge		Weight
		(MPa)	(cm ³)	High pressure	Low pressure	(V/kW)	Type	Size (mm/in.)	(kg)
PHS70-2500MRV/VR70	51810	70	2500	240	3200	230/0,25	AMT802	Ø62/Ø2.44	13,7

MEASUREMENTS

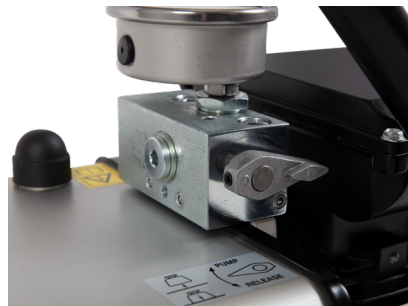
Unit	A	B	C	D	E	F	G	H
mm	412	292	209	330	80	232	103	160
in	16.2	11.5	8.22	13.0	3.15	9.13	4.06	6.30

FUNCTION

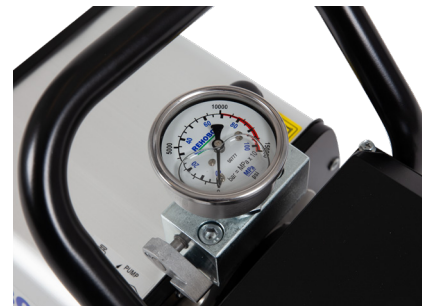
I	J	K	L	M	N
Pressure out G1/4"	Oil level glass G1/4"	Oil refill cap G3/8"	Manual release valve	Pressure regulating valve 0-70 MPa	Hold to run pendant control 2,5 m - 8 1/4 feet



Pressure adjusting screw and oil fill cap with air vent function.



Release valve in protected position to avoid unintended pressure release.



Gauge included, protected by ergonomic, easy to grip, carrying handle.