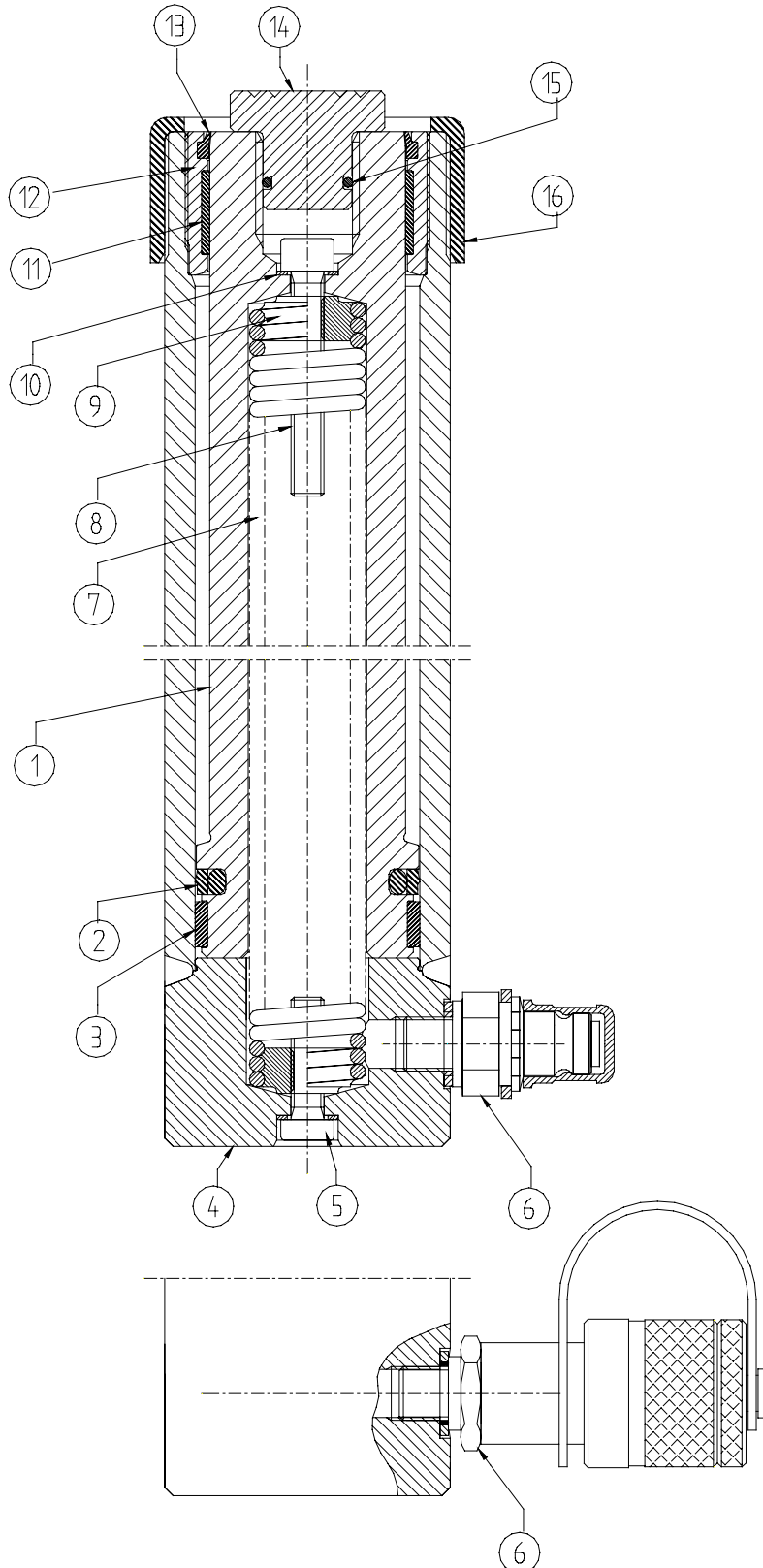




CFC156 CFC158 CFC1510 CFC1512 CFC1514 CFC1517
CFC156P CFC158P CFC1510P CFC1512P CFC1514P CFC1517P



Subject to change without prior notice!

Document number: 65086 Rev.1.1

Eskilstuna 2023-04-13 GB

CFC156 CFC158 CFC1510 CFC1512 CFC1514 CFC1517 CFC156P CFC158P CFC1510P CFC1512P CFC1514P CFC1517P

Ref No	Qty	Benämning	Description	Bezeichnung	Description	Lagerförd Kept in stock Lagergeführt Tenu en stock Part No	Ej lagerförd Not kept in stock Nicht lagergeführt Ne tenu en Part No
1	1	Kolv (CFC156)	Piston (CFC156)	Kolben (CFC156)	Piston (CFC156)	39887	
1	1	Kolv (CFC158)	Piston (CFC158)	Kolben (CFC158)	Piston (CFC158)	39888	
1	1	Kolv (CFC1510)	Piston (CFC1510)	Kolben (CFC1510)	Piston (CFC1510)	39889	
1	1	Kolv (CFC1512)	Piston (CFC1512)	Kolben (CFC1512)	Piston (CFC1512)	39890	
1	1	Kolv (CFC1514)	Piston (CFC1514)	Kolben (CFC1514)	Piston (CFC1514)	39891	
1	1	Kolv (CFC1517)	Piston (CFC1517)	Kolben (CFC1517)	Piston (CFC1517)	52537	
2	1	Packning	Packing	Dichtung	Joint	*	39912
3	1	Styrning	Guide	Führung	Canon	*	39906
4	1	Cylinder (CFC156)	Cylinder (CFC156)	Zylinder (CFC156)	Cylindre (CFC156)	39892	
4	1	Cylinder (CFC158)	Cylinder (CFC158)	Zylinder (CFC158)	Cylindre (CFC158)	39893	
4	1	Cylinder (CFC1510)	Cylinder (CFC1510)	Zylinder (CFC1510)	Cylindre (CFC1510)	39894	
4	1	Cylinder (CFC1512)	Cylinder (CFC1512)	Zylinder (CFC1512)	Cylindre (CFC1512)	39895	
4	1	Cylinder (CFC1514)	Cylinder (CFC1514)	Zylinder (CFC1514)	Cylindre (CFC1514)	39896	
4	1	Cylinder (CFC1517)	Cylinder (CFC1517)	Zylinder (CFC1517)	Cylindre (CFC1517)	52535	
5	1	Skruv	Screw	Schraube	Vis	40280	
6	1	Snabbkoppling	Quick coupling	Schnellkupplung	Raccord rapid	45952	
6	1	Snabbkoppling (P)	Quick coupling (P)	Schnellkupplung (P)	Raccord rapid (P)	40386	
7	1	Fjäder (CFC156)	Spring (CFC156)	Feder (CFC156)	Ressort (CFC156)	39907	
7	1	Fjäder (CFC158)	Spring (CFC158)	Feder (CFC158)	Ressort (CFC158)	39908	
7	1	Fjäder (CFC1510)	Spring (CFC1510)	Feder (CFC1510)	Ressort (CFC1510)	39909	
7	1	Fjäder (CFC1512)	Spring (CFC1512)	Feder (CFC1512)	Ressort (CFC1512)	39910	
7	1	Fjäder (CFC1514)	Spring (CFC1514)	Feder (CFC1514)	Ressort (CFC1514)	39911	
7	1	Fjäder (CFC1517)	Spring (CFC1517)	Feder (CFC1517)	Ressort (CFC1517)	52539	
8	1	Skruv	Screw	Schraube	Vis	23473	
9	2	Fjäderfäste	Spring attachment	Federbefestigung	Attach du ressort	39905	
10	2	Bricktätning	Packing	Dichtung	Joint	*	15210
11	1	Styrning	Guide	Führung	Canon	*	39914
12	1	Glander	Bushing	Buchse	Bague de palier	39886	
13	1	Avstrykare	Wiper	Abstreifer	Arracheur	*	39904
14	1	Tryckhuvud	Pressure head	Druckkopf	Tête de pression	39903	
15	1	O-ring	O-ring	O-Ring	Joint	*	20089
16	1	Skyddskåpa	Cover	Deckel	Capot	39997	
		Packningssats	Seal kit	Dichtungssatz	Jeu de joints	40505	

* Ingår i packningssats Included in Seal kit Im Dichtungssatz
enthalten Dans Jeu de joints
compris

Always use REHOBOT original spare parts