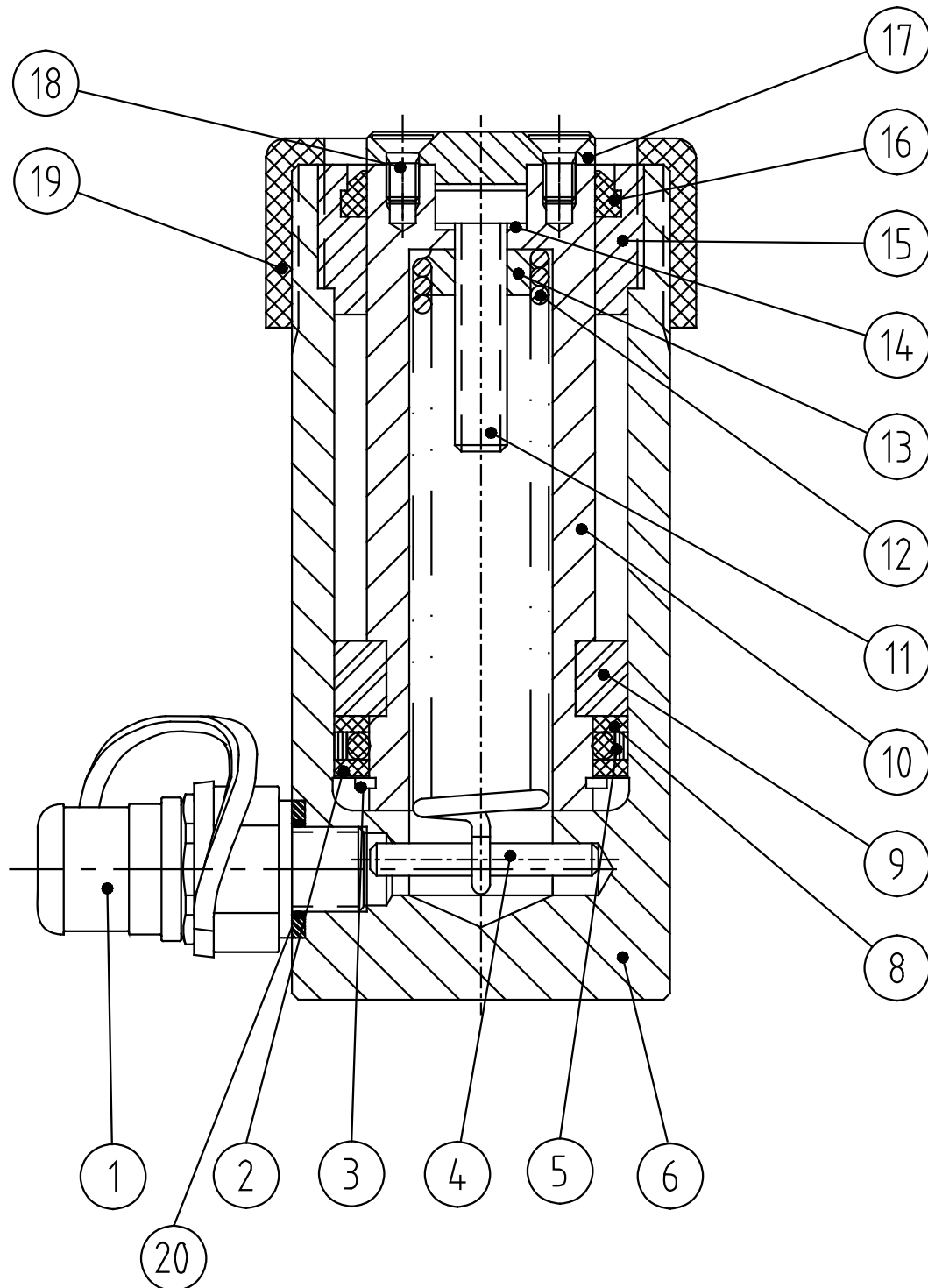


REHOBOT® CSF110-50 CSF110-100 CSF110-150

POWER WITH HYDRAULICS



CSF110-50 CFS110-100 CSF110-150

Pos.	QTY	Description	Part No.
1	1	AQU8 Quick coupling	45952
2	1	Support ring	*
3	1	Track ring	*
4	1	Pin	*/**
5	1	Packing	*
6	1	Cylinder CSF110-50	40301001
6	1	Cylinder CSF110-100	40301011
6	1	Cylinder CSF110-150	40301021
8	1	Support ring	*
9	1	Guide ring	40301007
10	1	Piston CSF110-50	40301002
10	1	Piston CSF110-100	40301012
10	1	Piston CSF110-150	40301022
11	1	Screw	*/**
12	1	Spring CSF110-50	**
12	1	Spring CSF110-100	**
12	1	Spring CSF110-150	**
13	1	Spring attachment	**
14	1	Packing	*/**
15	1	Bushing	40301004
16	1	Wiper	*
17	1	Pressure head	40301005
18	2	Screw	10100111
19	1	Cover	399,96
20	1	Packning	*
	*	Repair kit	451,27
	**	Return spring Cpl. CSF110-50	451,28
	**	Return spring Cpl. CSF110-100	451,29
	**	Return spring Cpl. CSF110-150	451,30

* Included in Repair kit.

** Included in Return spring Cpl.