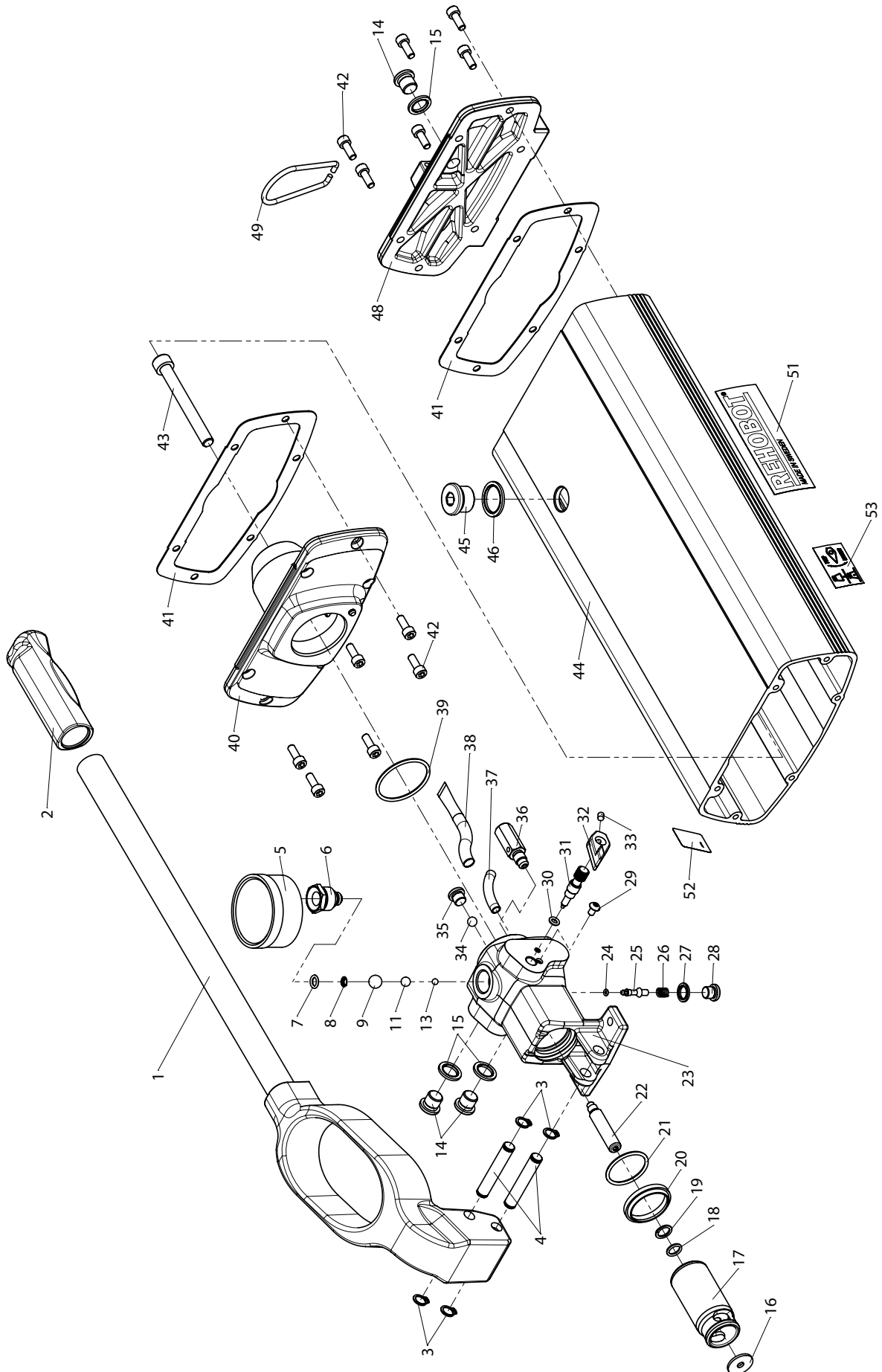


PHS70-4100 | PHS80-4100 | PHS100-4100 |  
PHS150-4100



Document number: 65585 Rev.1.1 Subject to change without prior notice!

Eskilstuna 2014-09-29 DF



**PHS70-4100 PHS80-4100 PHS100-4100 PHS150-4100**

<b>Pos.</b>	<b>QTY</b>	<b>Description</b>	<b>Part No.</b>
1	1	Handle	[ B ]
2	1	Handle grip	44368 [ B ]
3	4	Track ring	[ A B ]
4	2	Axle	[ B ]
5	1	AMT801 Gauge PHS70- PHS80-	44474
5	1	TX104 Gauge PHS100-	38831500
6	1	AAM18 Gauge adapter	44380
7	1	O-Ring	[ A D ]
8	1	Spring	[ A D ]
9	1	Ball	[ A D ]
11	1	Ball	[ A D ]
13	1	Ball	[ A D ]
14	3	Plug	[ A D ]
15	3	Packing	[ A D ]
16	1	Washer	[ A D F ]
17	1	Piston	[ D F ]
18	1	O-Ring	[ A D F ]
19	1	Supportring	[ A D F ]
20	1	Wiper	[ A D ]
21	1	O-Ring	[ A D ]
22	1	Piston	[ D F ]
23	1	Housing	45051 [ D ]
24	1	O-Ring	[ A D ]
25	1	Piston	[ A D ]
26	1	Spring	[ A D ]
27	1	Packing	[ A D ]
28	1	Plug	[ A D ]
29	1	Screw	[ C D ]
30	1	O-Ring	[ A C D ]
31	1	Release screw	[ C D ]
32	1	Knob	[ C D ]
33	1	Screw	[ C D ]
34	1	Ball	[ A D ]
35	1	Plug	[ A D ]
36	1	Safety valve PHS70	44388
36	1	Safety valve PHS80	44389
36	1	Safety valve PHS100	44390
36	1	Safety valve PHS150	44391
37	1	Intake pipe	[ A D ]
38	1	Strainer	[ A D ]
39	1	O-Ring	[ A D ]
40	1	End plate, front	[ E ]
41	2	Packing	[ A E ]
42	12	Screw	[ E ]

Pos.	QTY	Description	Part No.
43	1S	crew	[ E ]
44	1O	oil container	[ E ]
45	1P	lug	[ A E ]
46	1P	locking	[ A E ]
48	1E	end plate, rear	[ E ]
49	1Y	lock	44370
51	2L	label, REHOBOT[	A E ]
52	1L	label, read manual[	A E ]
53	1L	label, release function	[ A E ]
		Repair kit	50739
		Handle assembly	45058
		Release valve assembly	45054
		Pump unit Cpl. PHS70- , PHS80-	45060
		Pump unit Cpl. PHS100-, PHS150-	45055
		Tank assembly -4100	50616
		Piston kit PHS70-, PHS80-	45062
		Piston kit PHS100-, PHS150-	45057

- [ A ] Included in Repair kit
- [ B ] Included in Handle assembly
- [ C ] Included in release valve assembly
- [ D ] Included in Pump unit Cpl.
- [ E ] Included in Tank assembly -4100
- [ F ] Included in Piston kit

**Always use REHOBOT original spare parts**