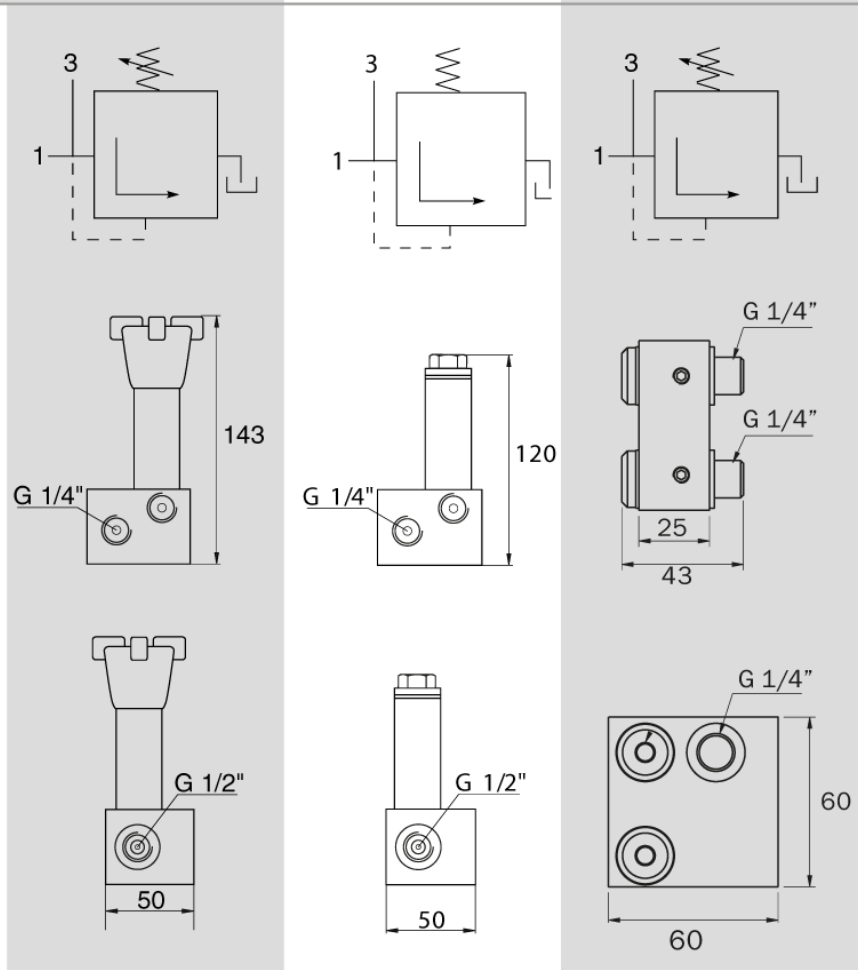


VR / VRF - PRESSURE REGULATING VALVES

Name	VR30	VRF31	VR150*
Max pressure MPa/bar	70/700	70/700	150/1500
Comment	Adjustable	Preset at 70 MPa	Adjustable ¹⁾



VR30



Note! Please observe that seals are not included. For thread G 1/4" we recommend seal part number 17009 and for thread G 1/2" we recommend seal part no 14192.

* - Especially designed for hand pumps in the PHS-series.

1) - Adjustable pressure between 50 - 150 MPa.